

UNIAXIAL GYROSCOPES

DYN-G-6000 SERIES

DynaLabs

Dynalabs MEMS based gyroscopes are designed by micro-mechanical silicon structures.



Gyroscopes are insensitive to external impacts and vibrations. For harsh environmental conditions Dynalabs gyroscopes are preferred. 6000 Series Uniaxial Gyroscopes feature a lightweight, reliable aluminum housing and they have an integrated cable with configurable length. They offer angular velocity ranges of ± 75 , ± 150 , ± 300 and $\pm 900^\circ/s$, ensuring versatile performance. Additionally, their IP68 protection class allows them to operate reliably in challenging environments.



Features

- Proven and robust silicon MEMS gyro
- Analog voltage output
- High shock and vibration rejection
- Class-leading bias and noise over temperature
- Low noise - high resolution



Applications

- Automotive in-car navigation
- GPS vehicle and personal navigation aiding
- Vehicle yaw, pitch and roll rate sensing
- Antenna stabilization
- Motion control

		DYN-G-6075	DYN-G-6150	DYN-G-6300	DYN-G-6900
Frequency range	($^\circ/s$)	± 75	± 150	± 300	± 900
Non-linearity (full scale)	(Hz)	0-150	0-150	0-150	0-150
Noise (in band)	(%)	0.06	0.06	0.06	0.06
Scale factor (nominal)	($^\circ/s/\sqrt{Hz}$)	0.0075	0.0075	0.0075	0.0075
Scale factor var. over temp.	($V/^\circ/s$)	0.012	0.006	0.003	0.001
Bias variation with temp.	(%)	0.5	0.5	0.5	0.5
Scale factor var. over temp.	($^\circ/s$)	± 1	± 2	± 3	± 4
Shock survivability	(g)	10,000	10,000	10,000	10,000



DYNALABS MUHENDISLIK LTD STI

Ostim OSB Mah. 100 Yil Bulvarı Ostim
No:55B/11 Yenimahalle 06374 Ankara
TURKEY

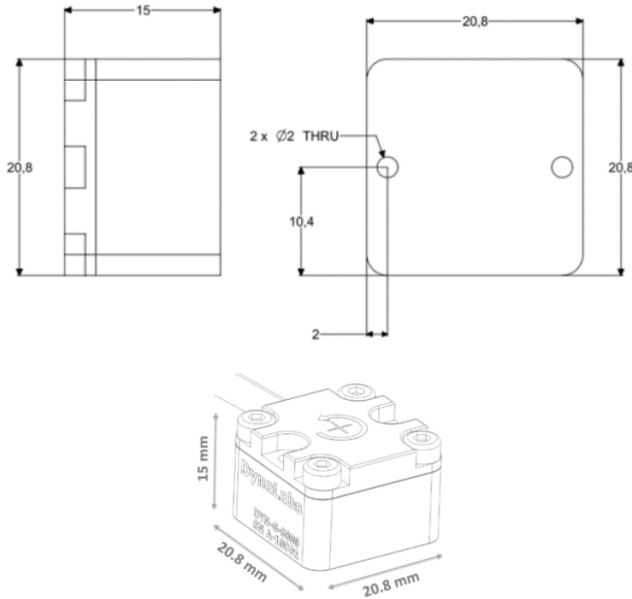
Phone: +90 312 386 21 89

Mail: dynalabs@dynalabs.com.tr

Web: www.dynalabs.com.tr

DynaLabs UNIAXIAL GYROSCOPES

DYN-G-6000 SERIES



OPTIONS:

- Custom Cable Length (5m standard cable)
- Custom Housing Material
- Custom Connector

CABLE CODE/PIN CONFIGURATION:

- Red : V+ Supply voltage 6V to 35V
- Black : Ground Power GND
- RX : Yellow : Gyro Signal Single-ended analog output voltage signal

Cable: 4x #28 AWG Conductors PFA Insulated, Braided Shield, TPE Jacket

Protection Level	Operating Voltage	Operating Temperature	Weight (without cable)	Housing Material
IP 68	6V - 35V	-40 °C to +100 °C	12 g (aluminum) 25 g (steel)	Aluminum or Steel



DYNALABS MUHENDISLIK LTD STI

Ostim OSB Mah. 100 Yil Bulvarı Ostim
No:55B/11 Yenimahalle 06374 Ankara
TURKEY

Phone: +90 312 386 21 89

Mail: dynalabs@dynalabs.com.tr

Web: www.dynalabs.com.tr