

DynaLabs

Model DYN-I-8000

Range [g]: 2, 5, 10, 30, 50, 100, 200

[°/s]: 75, 150, 300, 900

Product Manual

Product Support

If at any time you have questions or problems with the DYN-I-8000 sensors, please contact a Dynalabs engineer at:

Phone: +90 312 386 21 89 (9 a.m. to 5 p.m., UTC +3)

E-mail: info@dynalabs.com.tr

Warranty

Our products are warranted against defective materials and workmanship for one year. Defects arising from user errors are not covered by the warranty.

Copyright

All copyrights of this manual belonging to Dynalabs products are reserved. It cannot be reproduced without written consent.

Disclaimer

Dynalabs Ltd. provides this publication "as is" without warranty of any kind, express or implied, including but not limited to, the implied warranties of merchantability or fitness for a particular purpose. This document is subject to change without notice, and should not be construed as a commitment or representation by Dynalabs Ltd.

This publication may contain inaccuracies or typographical errors. Dynalabs Ltd. will periodically update the material for inclusion in new editions. Changes and improvements to the product described in this manual may be made at any time.

Table of Contents

1) Introduction.....	4
2) General Information.....	4
2.1) Unpacking and Inspection.....	4
2.2) System Components.....	4
2.3) Specifications.....	5
2.4) Outline Drawing	7
3) Operation and Installation.....	7
3.1) General.....	7
4) Sensor Static Calibration Verification.....	8
5) Declaration of Conformity	9

1) Introduction

Dynalabs Inertial Measurement Units are based on triaxial accelerometers and triaxial gyroscopes that are integrated in a single housing. The inertial measurement unit (IMU) is based on proven microelectromechanical systems (MEMS) accelerometers and gyroscopes for detecting the smallest linear accelerations and angular rates. Dynalabs IMUs enable separate analog voltage outputs for all 6 degrees of freedom (DOF). IMUs enable power supply voltage from 6 to 35 VDC. Dynalabs IMUs feature a lightweight, reliable aluminum housing with protection class IP68 and have cable with configurable length and connectors.

DYN-I-8000 sensors offer the following options;

- Custom Cable Length
- Custom Housing Material
- Custom Connector
- Base plate



2) General Information

2.1) Unpacking and Inspection

Dynalabs products provide adequate protection for undamaged products to be transported. Document the damages that occur indirectly during the transport and contact the customer representative.

2.2) System Components

The DYN-I-8000 has the following components:

- MEMS Sensor
- Calibration Certificate
- Product Manual

2.3) Specifications

Table 1 Gyroscopes Specifications Datasheet

Full scale angular velocity	(°/s)	±75	±150	±300	±900
Frequency range	(Hz)	0-150	0-150	0-150	0-150
Non-linearity (full scale)	(%)	0.06	0.06	0.06	0.06
Noise (in band)	(°/s /√Hz)	0.0075	0.0075	0.0075	0.0075
Scale factor (nominal)	(V/°/s)	0.012	0.006	0.003	0.001
Scale factor var. over. temp.	(%)	0.5	0.5	0.5	0.5
Bias variation with temp.	(°/s)	± 1	± 2	± 3	± 4

Table 2: Accelerometers Specifications Datasheet

Full scale acceleration	(g)	±2	±5	±10	±30	±50	±100	±200
Frequency range (±5%)	(Hz)	700	1,150	2,000	2,300	2,700	2,900	2,500
Non-linearity (full scale)	(%)	0.1	0.1	0.1	0.1	0.1	0.1	0.1
Noise (in band)	(μg/√Hz)	9	21	40	100	180	340	680
Scale factor (nominal)	(mV/g)	1,350	540	270	90	54	27	13.5
Scale factor temp. coeff.	(ppm/°C)	120	120	120	120	120	120	120
Bias temperature coeff.	(mg/°C)	± 0.2	± 0.5	± 1	± 3	± 5	± 10	± 20

Environmental

Table 3: Environmental Specifications datasheet

Protection Level	IP 68
Operating Voltage	6 V -35 V
Operating Temperature	-40 °C to +100 °C
Operating Current Consumption mA	<50 mA
Isolation	Case isolated

Physical

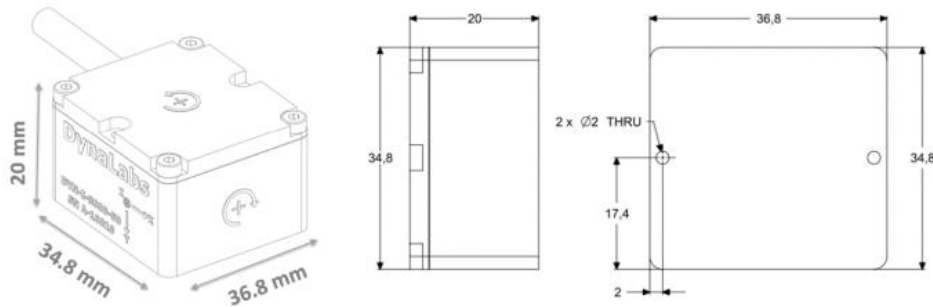
Table 4: Physical Specifications datasheet

Sensing Element	MEMS Capacitive – Gyroscope
Housing Material	Aluminum or Steel
Connector (Optional)	D-Sub 9 or 15 pin, Lemo, Binder
Mounting	Adhesive or screw mount
Base plate (Optional)	Aluminum or Steel
Weight (without cable)	27.5g (aluminum) 69.5 g (steel)

2.4) Outline Drawing

The dimensional properties of DYN-I-8000 sensors are given below;

Technical Drawing:



3) Operation and Installation

3.1) General

The general sensor connector configuration is given below;

Cable Code/Pin Configuration:

- Red : V + Power supply voltage +6 to +35 VDC
- Black : Ground Power GND
- X -Axis : Yellow : Signal(+) Positive, analog output voltage signal for differential mode
Purple : Signal(-) Negative, analog output voltage signal for differential mode
- Y -Axis : Blue : Signal(+) Positive, analog output voltage signal for differential mode
Green : Signal(-) Negative, analog output voltage signal for differential mode
- Z -Axis : White : Signal(+) Positive, analog output voltage signal for differential mode
Orange : Signal(-) Negative, analog output voltage signal for differential mode

Cable Code/Pin Configuration:

- Red : V + Power supply voltage +6 V to +35 VDC
- Black : Ground Power GND
- RX : Brown : Gyro Signal X-Axis: Analog output voltage signal for single-ended mode
- RY : Grey : Gyro Signal Y-Axis: Analog output voltage signal for single-ended mode
- RZ : Pink : Gyro Signal Z-Axis: Analog output voltage signal for single-ended mode
- White- Brown : nc Not connected

WARNING

Never connect the power supply and/or the power ground to yellow, purple, blue, green, white, orange, brown, grey, and/or pink cables.

Never connect the power supply to the power ground. Always use a clean power source and check the voltage range.

4) Sensor Static Calibration Verification

Using gravity for the accelerometer of the 8000 series IMU, voltage values are measured in the + and - gravity directions, providing a value of ± 1 g. The measurement should be made as follows;

When the acceleration value of 8000 series IMU's accelerometers is entered into the data acquisition system, the sensor shows +1 g with the effect of gravity, which is in the direction of the axis to be calibrated.



When the sensor is positioned in the opposite direction to the axis to be calibrated, the arrow shows -1g as shown below under the effect of gravity.



Using gravity, the voltage values that provide 1 g in the + and - directions are measured and compared with the catalog value. The calibration value should be close to the catalog value with 10% tolerance. Sensor catalog sensitivity values are given in Table 2.

5) Declaration of Conformity

DynaLabs



*This declaration of conformity is issued under the sole responsibility of the manufacturer.
The product(s) are developed, produced and tested according to following EC- directives:*

- 2014/35/EU – Low Voltage Directive (LVD)
- 2006/42/EU – Machinery Safety Directive
- 2015/863/EU – RoHS Directive

Applied standards:

- EN 61010-1:2010
- EN ISO 12100:2010
- MIL-STD-810-H-2019 (Test Methods: 501.7 - High Temperature, 502.7 - Low Temperature, 514.8 - Vibration, 516.8 – Shock)

*DYNALABS MÜHENDİSLİK SANAYİ TİCARET LİMİTED ŞİRKETİ declares
that above mentioned products meet all the requirements of the above mentioned
standards and regulations.*

A handwritten signature in blue ink, appearing to be 'Canan Karadeniz', written in a cursive style.

Canan Karadeniz, General Manager

Ankara, 15.07.2021